

(WARNING: NOT FOR USE WHILE VEHICLE IS IN MOTION)

TaleGator Assembly Instructions

Fig 1

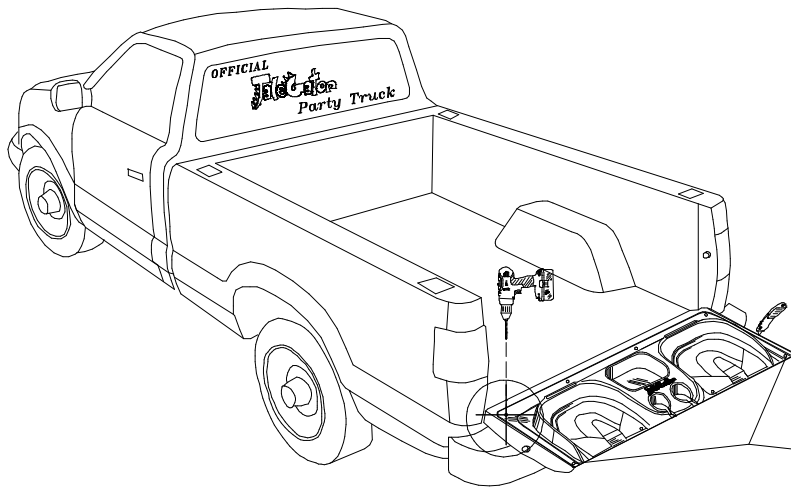
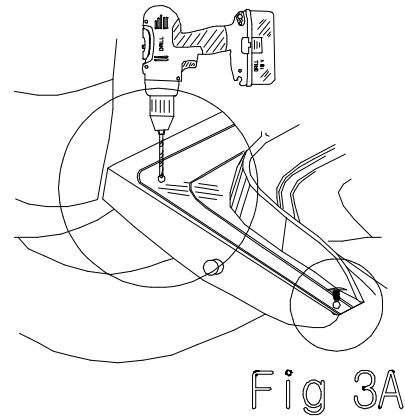


Fig 3



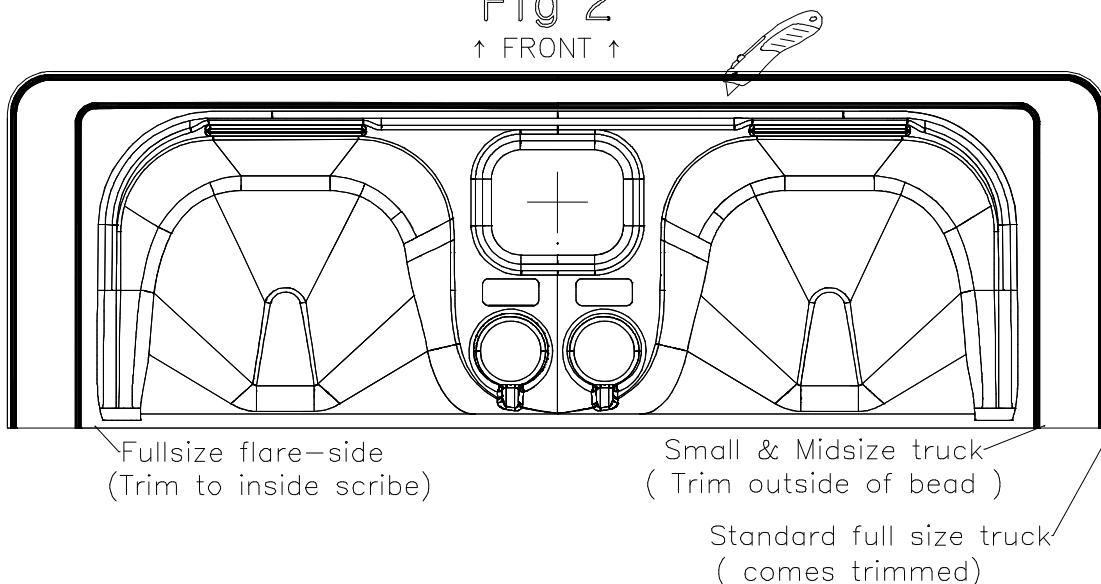
TWO FIRST ATTACHMENTS

- 1) Lay the TaleGator on your truck's tailgate. If it hangs over, trim as shown in FIG 2.
- 2) For most standard fullsize trucks, trimming is usually not necessary.
- 3) For midsize, compact or flare-side trucks, trim as shown in FIG 2.
- 4) For trimming, select the correct trim line from FIG 2. Score the plastic along the outside of bead utility knife and snap the excess outside material off the TaleGator.
- 5) Center the TaleGator on your tailgate, making sure the front (hinge) edge is not hanging over or you may have difficulty closing your tailgate.
- 6) You can use existing holes in your truck's tailgate inner panels as a template to drill 1/4 inch diameter holes in the TaleGator, or drill new holes to suit. 8 holes recommended.
- 7) Start by attaching the first 2 push pins as shown in FIG 1, then check that your tailgate closes easily before adding the other attachments.
- 8) Finish drilling remaining holes and attach with Christmas tree-style push pins provided.

Congratulations, you are now ready to enjoy this unique and comfortable seating that goes wherever you go!

Fig 2

↑ FRONT ↑



For video instructions visit our web site www.theoriginaltalegator.com